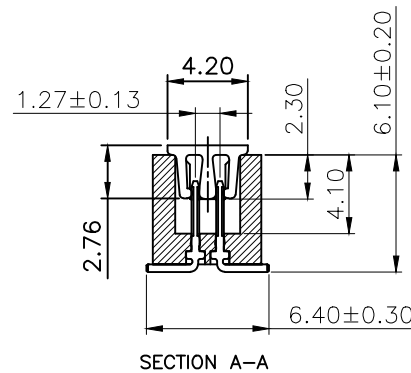
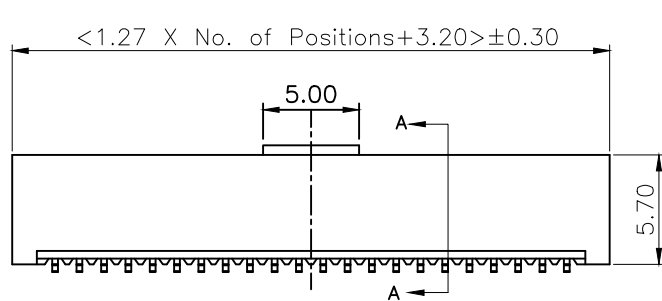
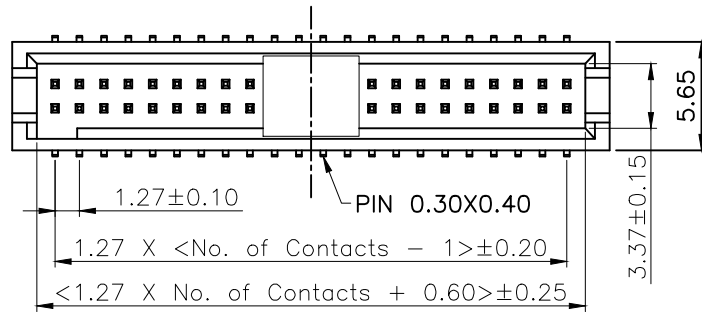


SPECIFICATIONS

Current Rating: 1 Amps
 Insulator Resistance: 1000 Megohms min.
 Contact Resistance: 20 m ohms max.
 Dielectric withstanding: AC 300V
 Operating Temperature: -40°C~+105°C
 Contact Material: Phosphor Bronze
 Insulator Material: Polyester, UL 94V-0
 LCP

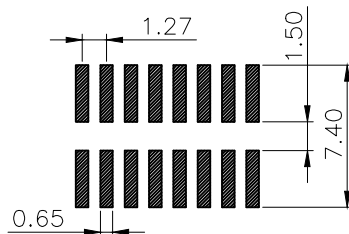


SPOSA-XX-XX-0-X-FG

Number of Contacts: XX
 Contact Plating: XX
 High temp RoHs Compliant (Nylon-6T or Greater)

P=Cap
 T=Tape+Reel
 PT=Cap+Tape+Reel
 C=Acetate Tape
 TC=Acetate Tape+Tape+Reel

Definition	Code
● Tin plated:	VA
● Gold plated:	
flash VB	10μ" VE
3μ" VC	15μ" VF
5μ" VD	30μ" VJ
● Duplex plating:	
flash VK	10μ" VP
3μ" VL	15μ" VN
5μ" VM	30μ" VU
● Standard:	VB



Recommended P.C.B. Layout

APTOS Technology CONFIDENTIAL
 This document, and all information it contains, are the confidential, proprietary property of APTOS Technology. Disclosure, duplication or distribution of this document, or any information it contains, in whole or part, without prior written permission from APTOS Technology is strictly prohibited

GENERAL TOLERANCE UNLESS OTHERWISE SPECIFIED	
XXX. ± X	.XX ± 0.15
XX. ± X	.XXX ± 0.10
X. ± 0.30	X." ± 5"
.X ± 0.25	.X" ± 3"
REV. A	DRAWN
DATE 04/10/09	CHECKED
SCALE 3:1	APPROVED
UNIT mm	



04/10/09	SPOSA Series
	1.27 mm SMD Box Header w/Key
	PRODUCT NO SPOSA-XX-XX-0-X-FG
	FILE NAME: SPOSA LF APD.DWG

SIZE A4